





VERSA 750

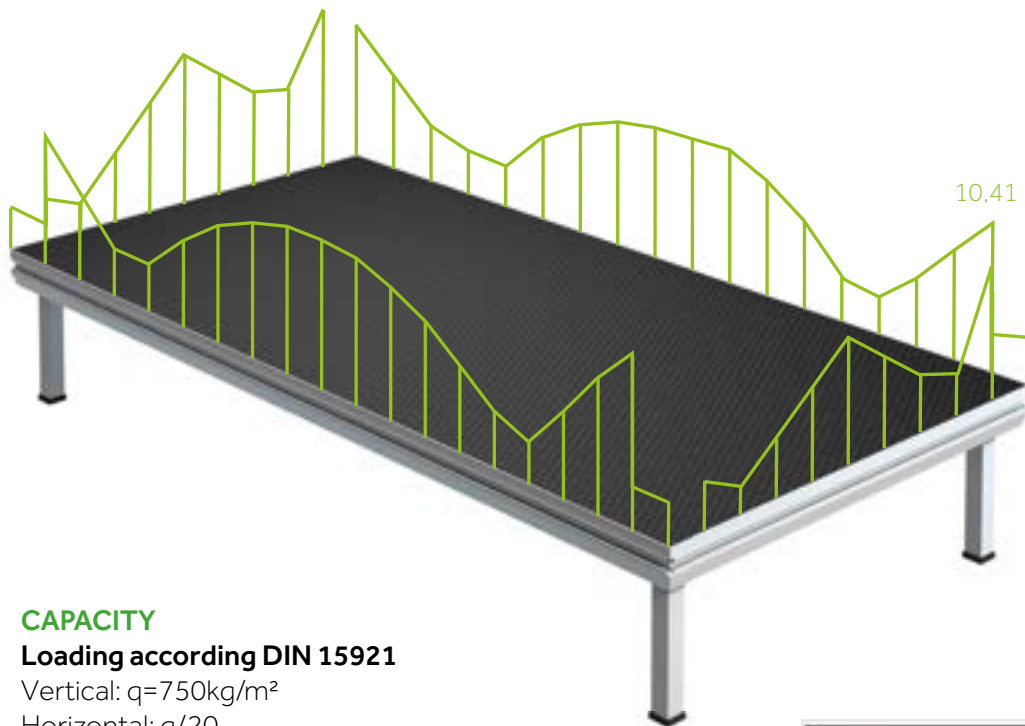
FULL VERSATILITY IN ONE PRODUCT



Everdeck is proud to launch the new VERSA750. Model VERSA750 combines strenght, durability, stability, ligh-



STRENGTH – 750KG/M²



CAPACITY

Loading according DIN 15921

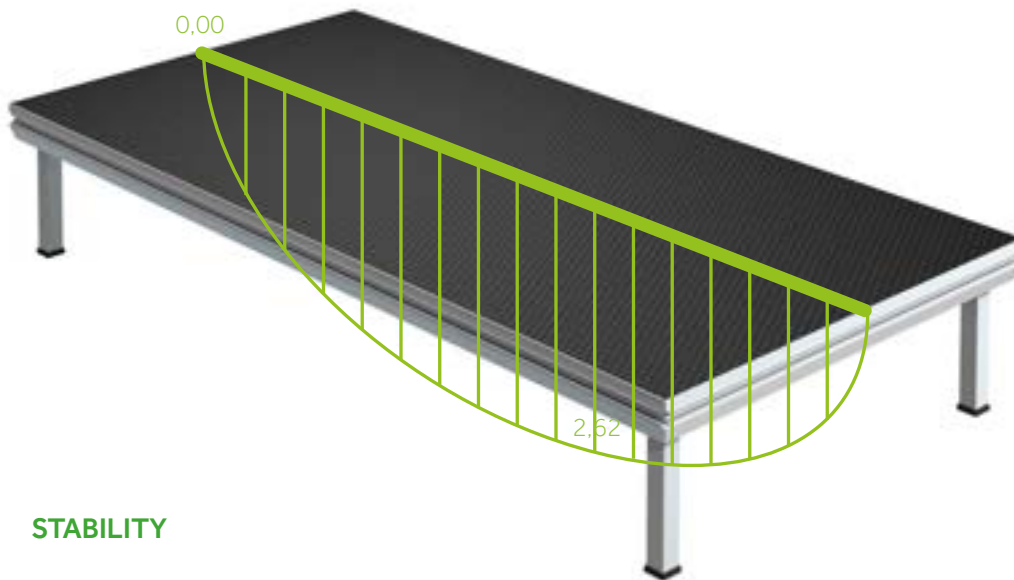
Vertical: $q=750\text{kg/m}^2$

Horizontal: $q/20$





STABILITY – MINIMUM DEFLECTION



STABILITY

Approved for Use Because:		EXPO Engineering	
✓	Accuracy	Client:	EXPO 2010
✓	Quality	Contractor:	EXPO 2010
✓	Cost	Customer:	EXPO 2010
✓	Time	Manufacturer:	EXPO 2010
Statische Berechnung Static Analysis			
Auftraggeber:	EXPO 2010		
Customer:	EXPO 2010		
Projekt:	EXPO 2010		
Phase:	EXPO 2010		
<p>Wir übernehmen keine Haftung für Schäden an Personen oder Sachen. Diese sind selbstständig zu versichern. Die Verantwortung für die Sicherheit der Person liegt bei der Person selbst.</p>			
		Expo Engineering GmbH Exponen 24 48699 Bielefeld Fax: +49 (0) 52 09 20 20 20 Mail: +49 (0) 52 09 20 20 20 www.expoengineering.de	



LIGHTWEIGHT



LIGHTWEIGHT

Only 32kg
for 2x1m deck



FLEXIBILITY COMPATIBLE PROFILE



Compatibility - with other leading brands.

Shape improvement - angle on the outside compatible with Layher and Nivtec beam without using any special adaptors.

Low storage costs - only 9cm stacking height



FLEXIBILITY

UNIVERSAL LEG CORNER

PROBLEM

Main systems on the market provide legs 48,3 round, 50x50 square, pressure cube inside the corner.

In addition the pressure cube is really tiny that's why all force is going only to the longer screw and this is not providing great stability.

SOLUTION

Our new pressure cube is universal for above legs 50x50sq, 60x60 sq, and 48,3 round.

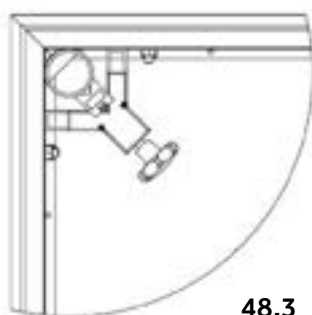
extended our corner. No matter what type of the leg we will use the stability.



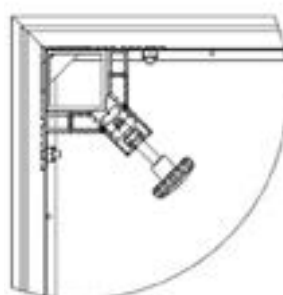
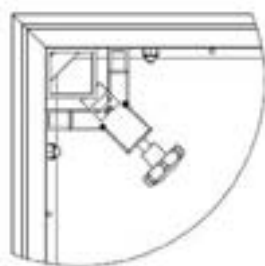
Standard pressure cube



Everdeck pressure cube

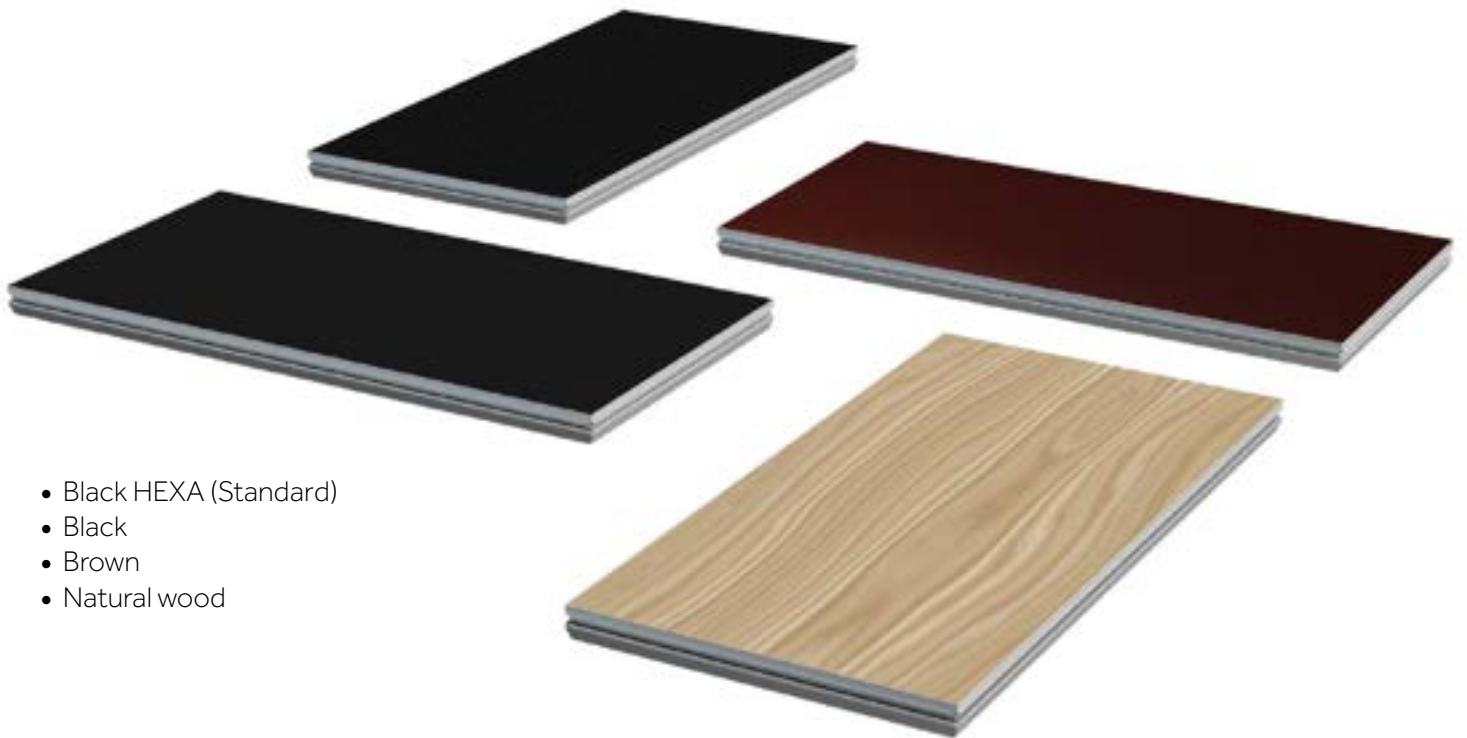


48,3





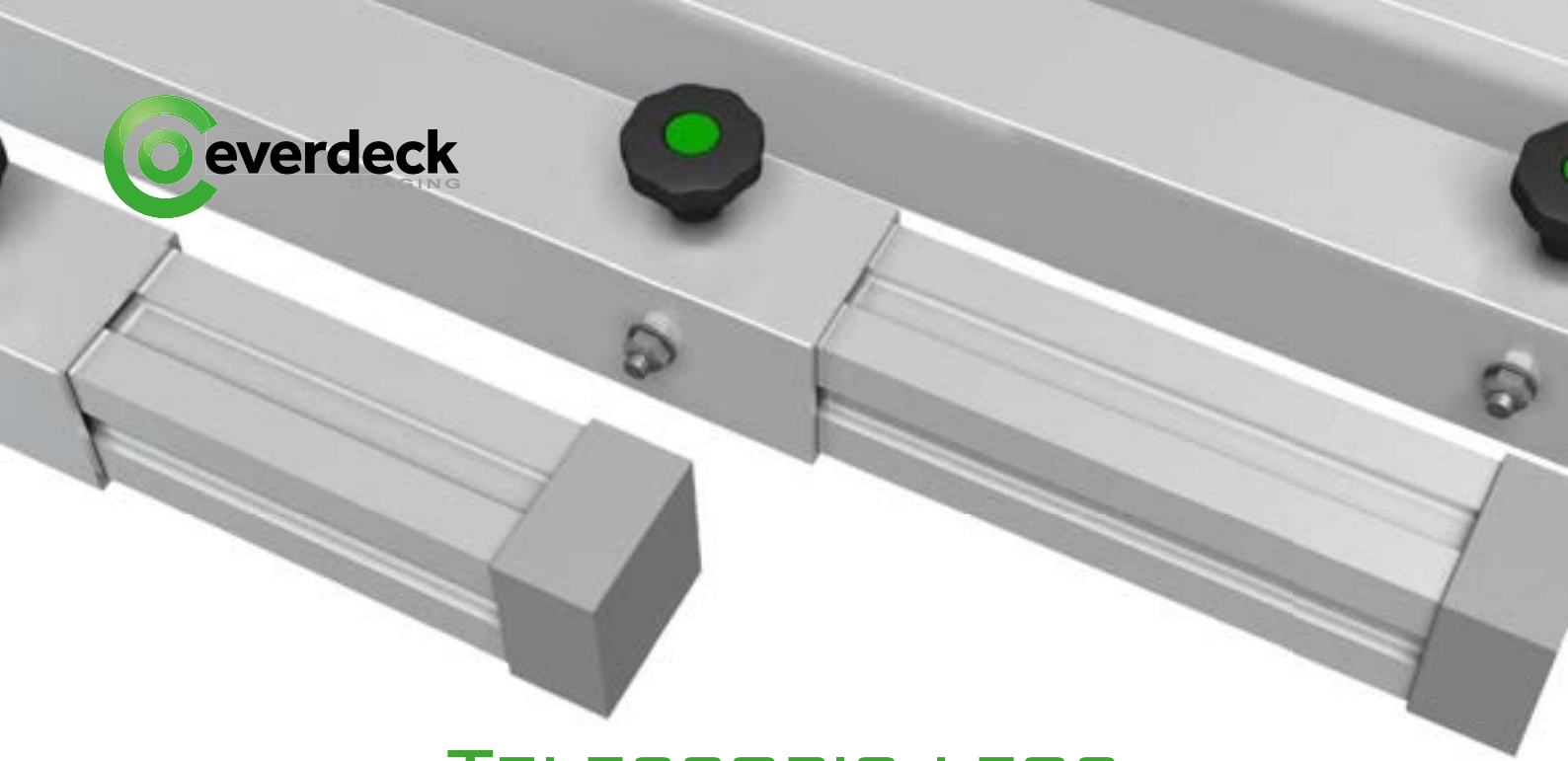
AVAILABLE FINISHES



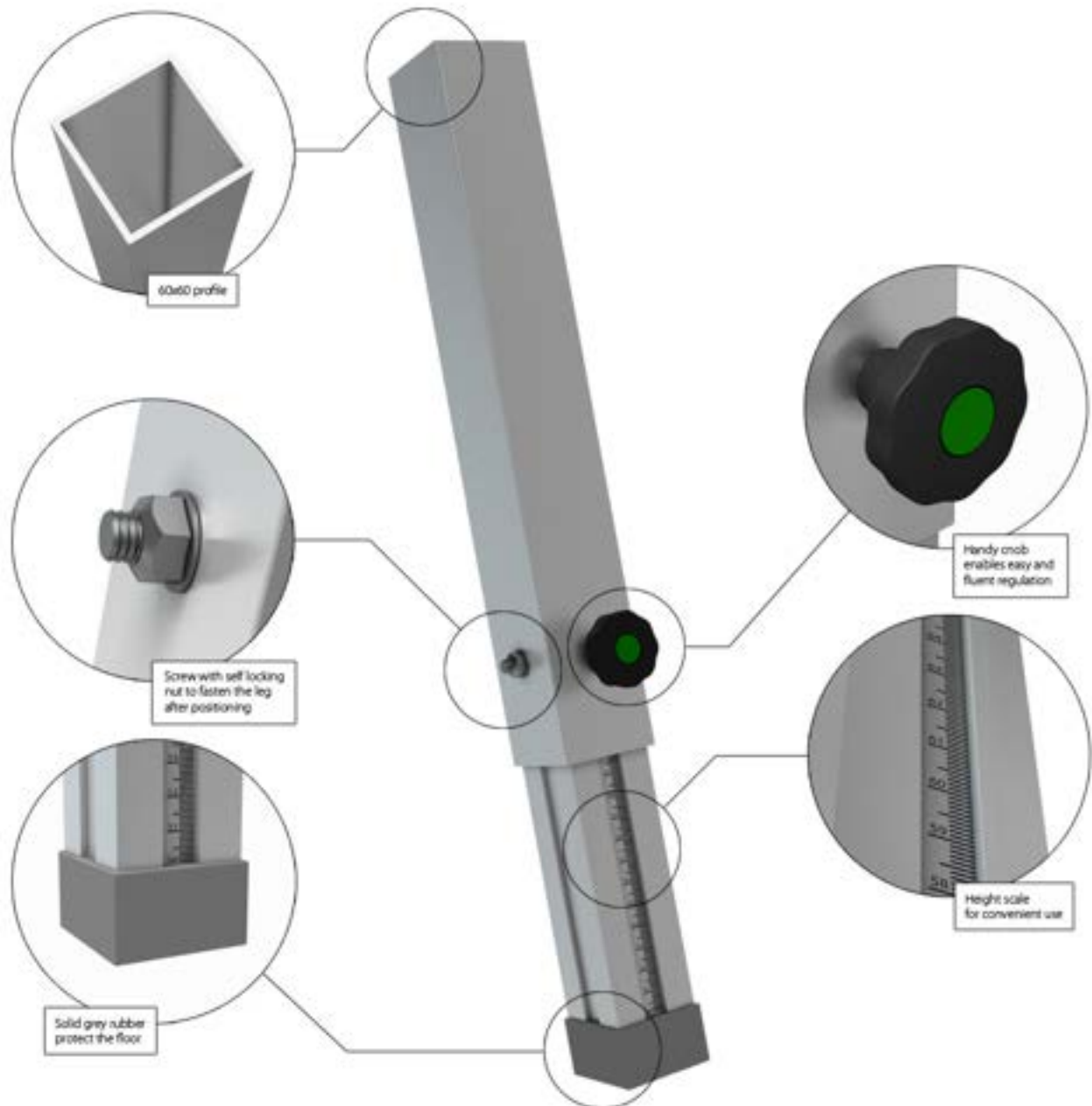
- Black HEXA (Standard)
- Black
- Brown
- Natural wood

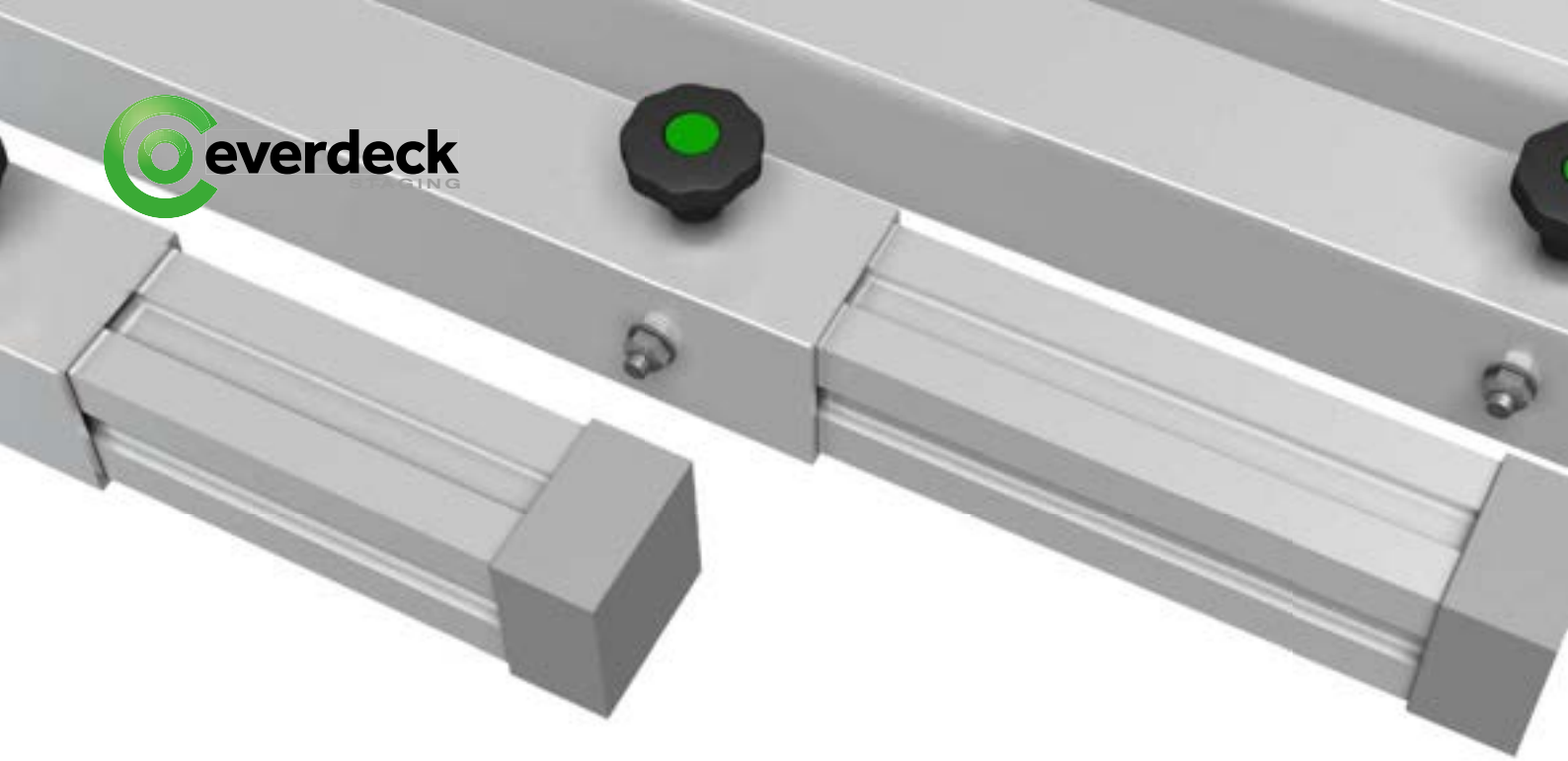


- transparent
- black plexi
- white plexi

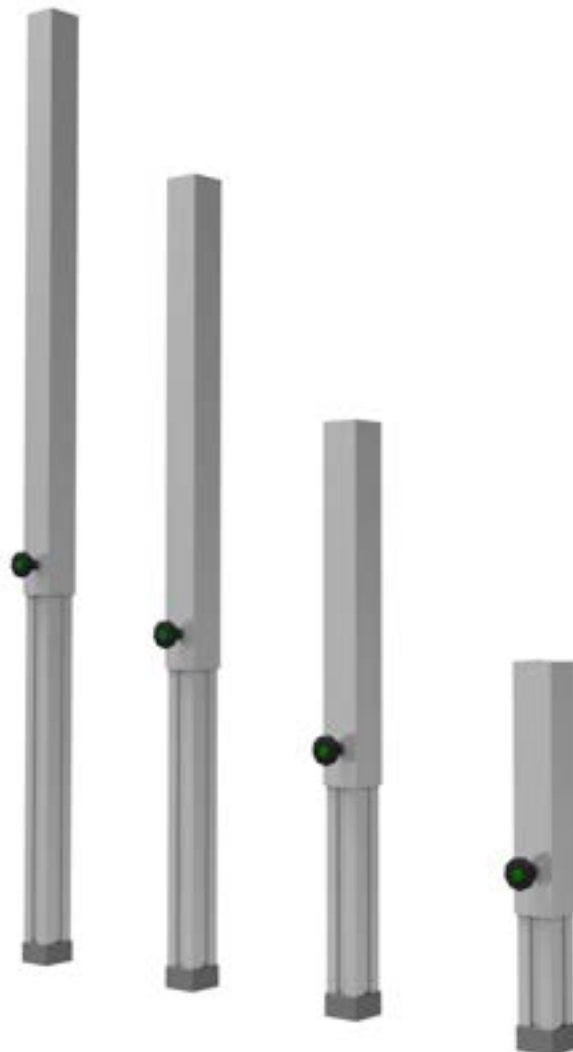


TELESCOPIC LEGS



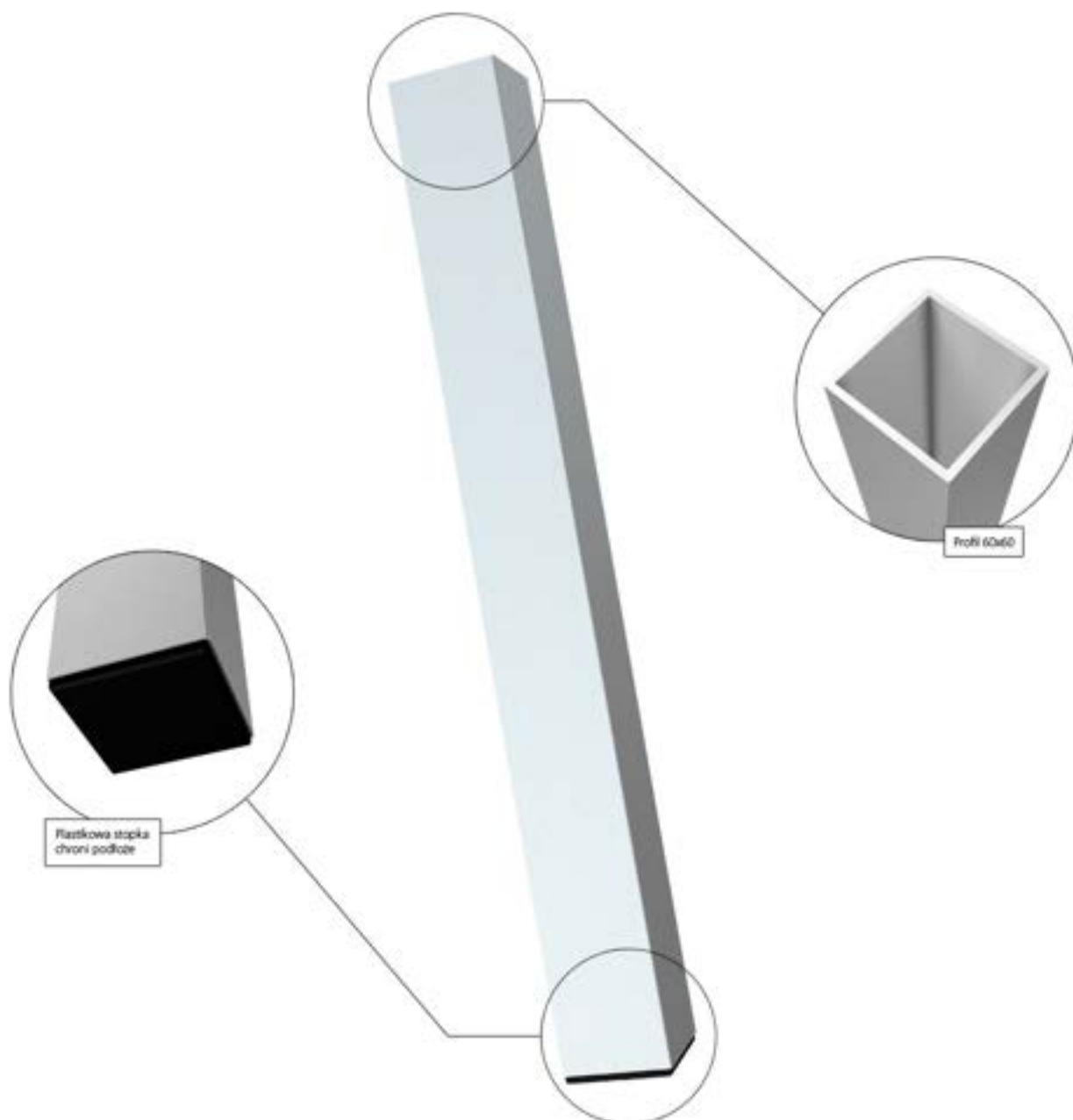


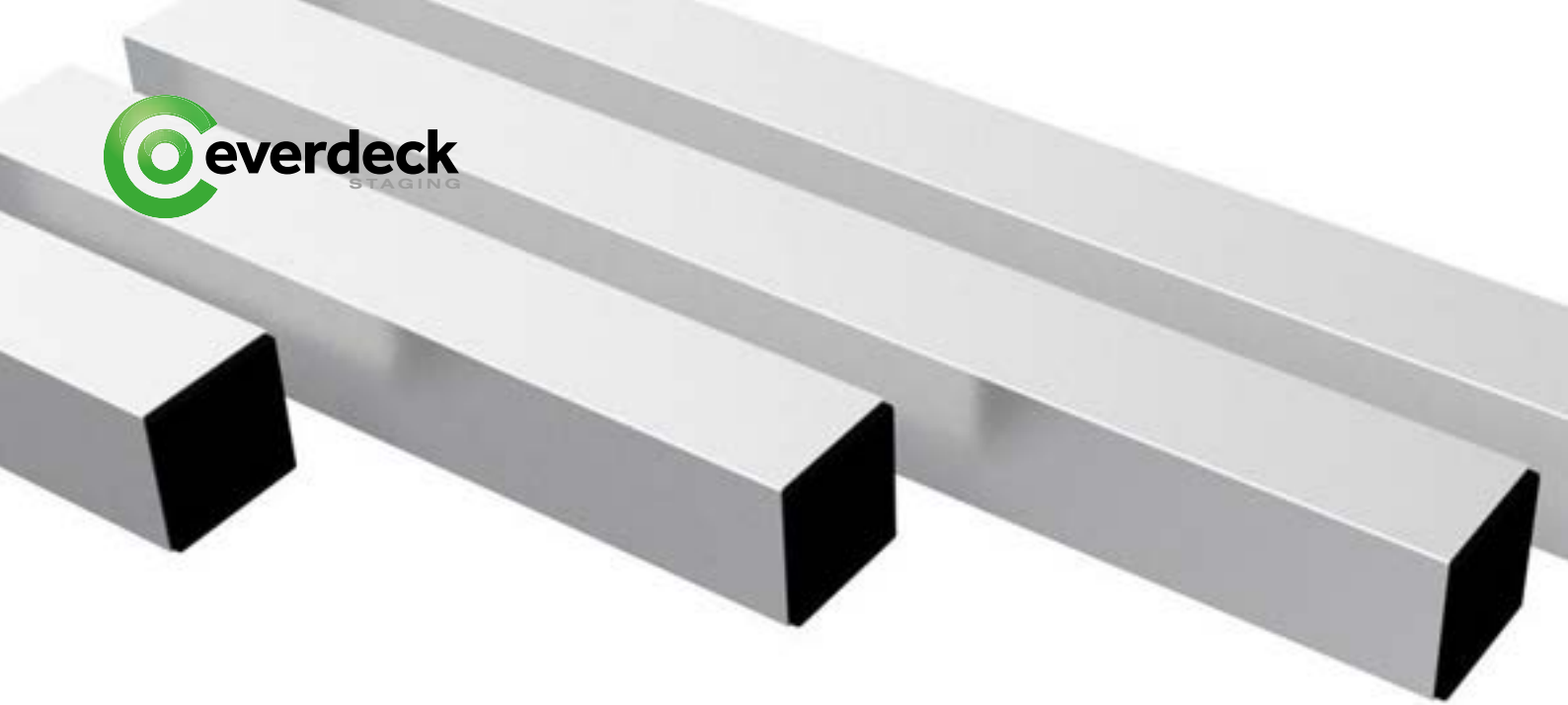
PRODUCT CODE	HEIGHT in cm (H)	SUITABLE FOR
VTL40	40-60	VERSA750
VTL60	60-100	
VTL80	80-140	
VTL100	100-180	



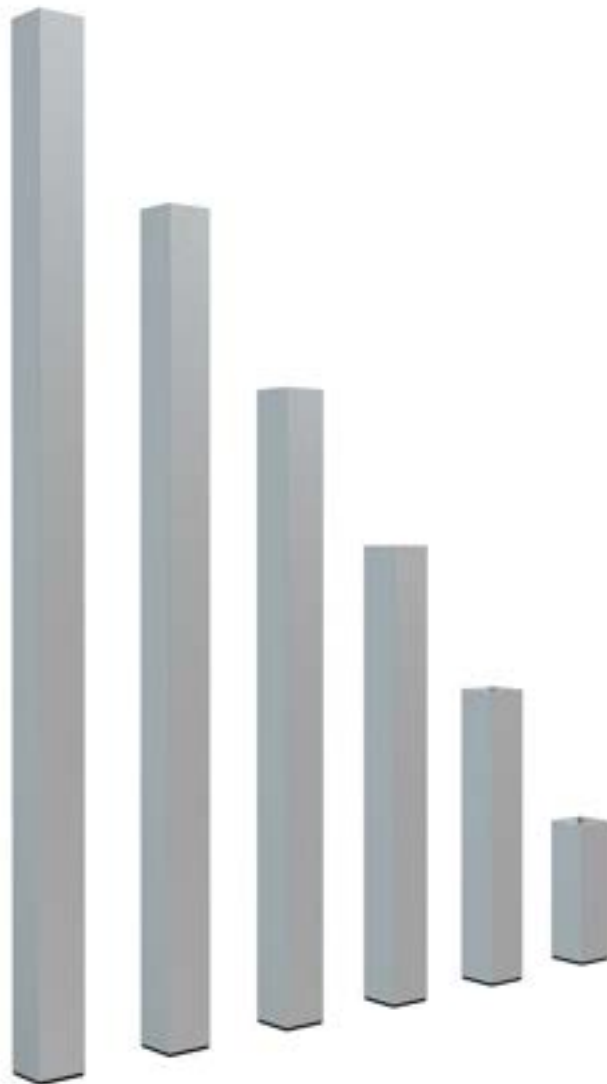


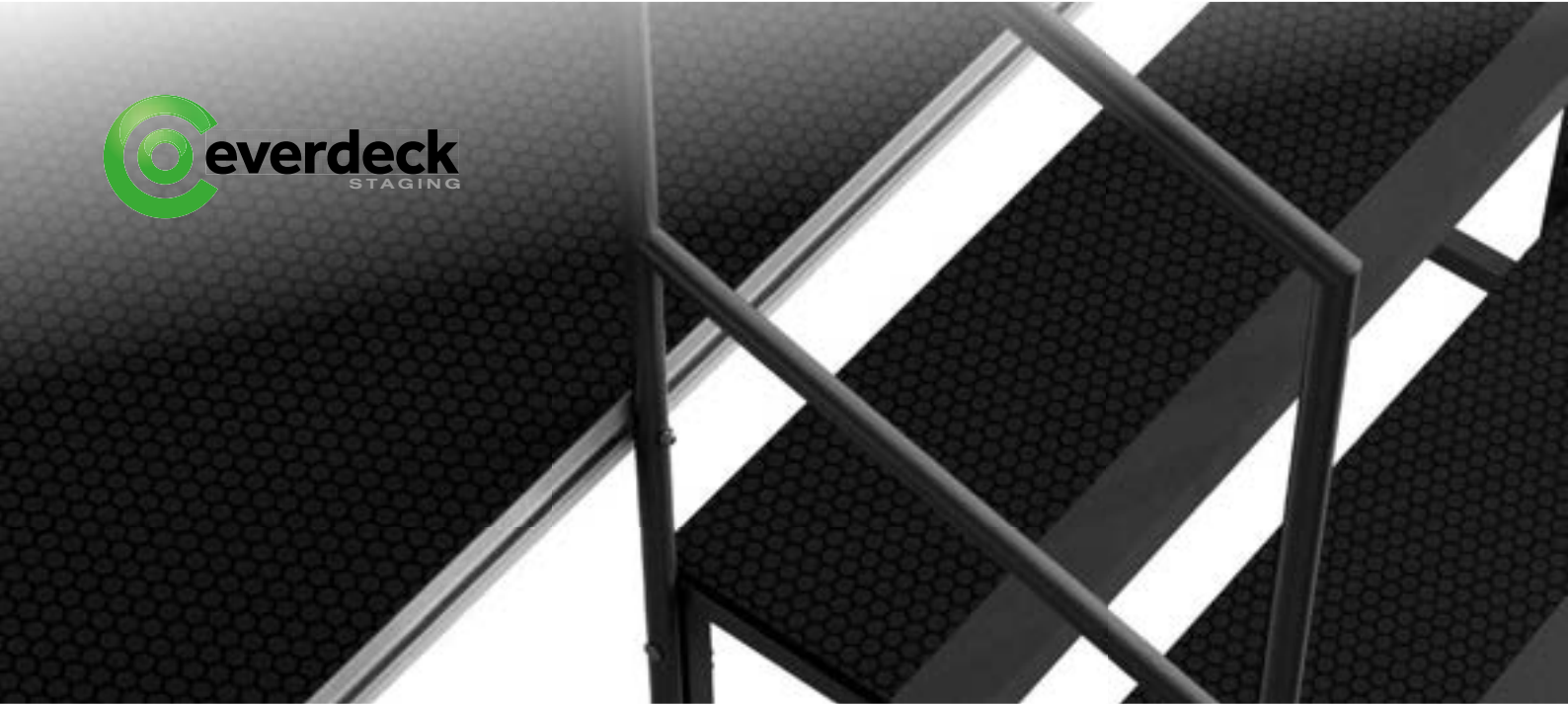
SET LEGS





PRODUCT CODE	HEIGHT in cm (H)	SUITABLE FOR
VFL20	20	VERSA750
VFL40	40	
VFL60	60	
VFL80	80	
VFL100	100	
VFL120	120	

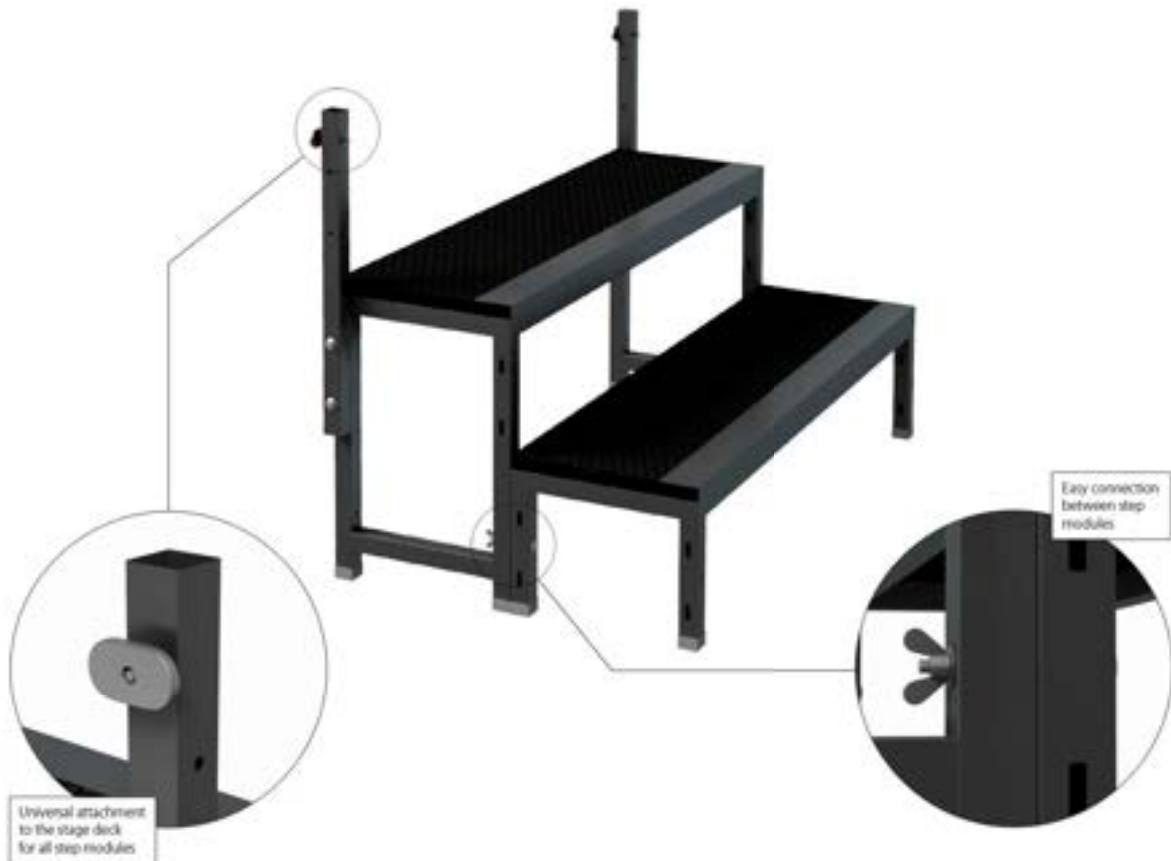


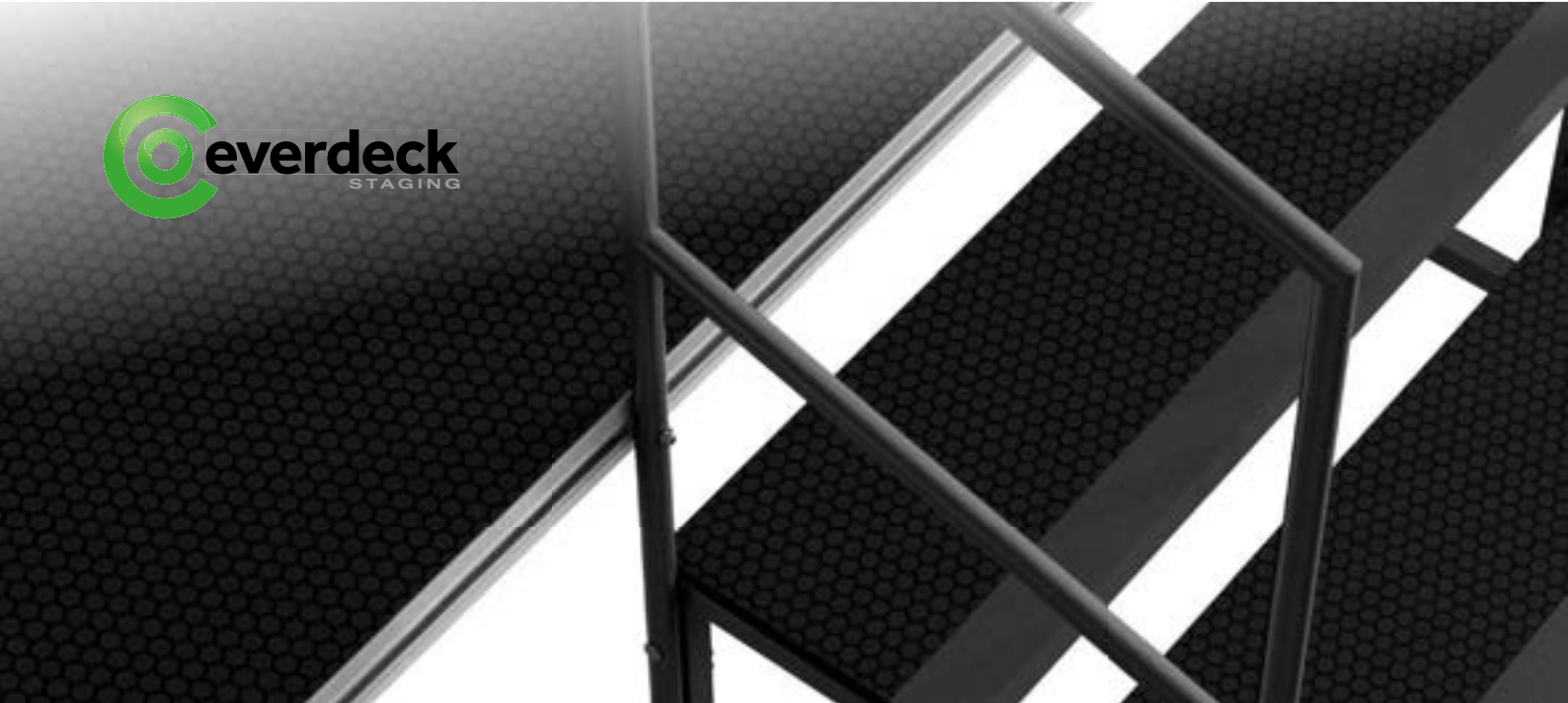


MODULAR STAIR STEPS

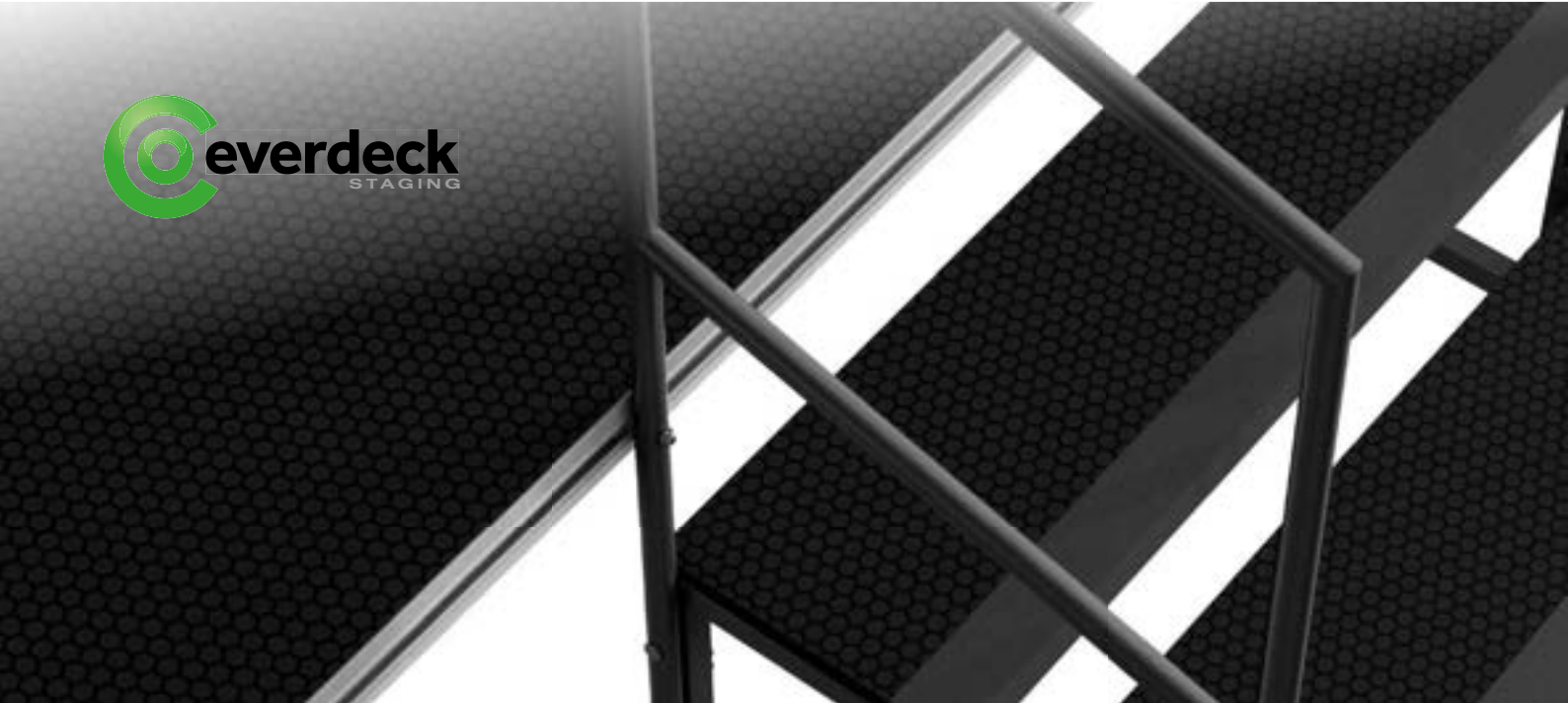


used separately or together for several stage heights





Handrail for modular stairs, assembled on two adjacent steps



VSM20
Modular stair step 20cm



VSM40
Modular stair step 40cm



VSM60
Modular stair step 60cm



VSM80
Modular stair step 80cm



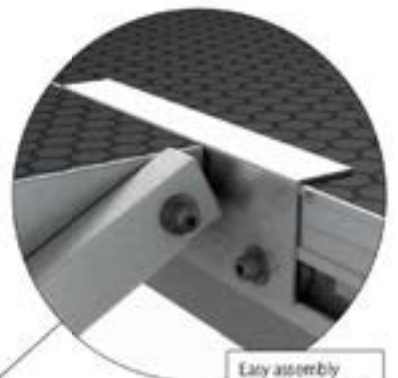
Modular stairs handrail



ADJUSTABLE STAIRS



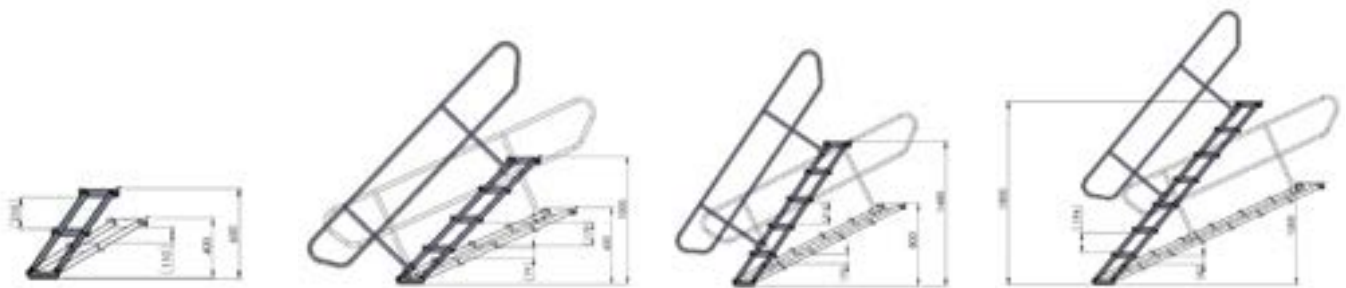
Adjustable steps
for fluent height
regulation



Easy assembly
to VERSA 750 deck



Universal handrail
suitable for adjustable
stairs with 4, 5
and 7 steps



VAS-2
2 step adjustable stair
40-60cm



VAS-4
4 step adjustable stair
60-100cm



VAS-5
5 step adjustable stair
80-140cm



VAS-7
7step adjustable stair
100-180cm

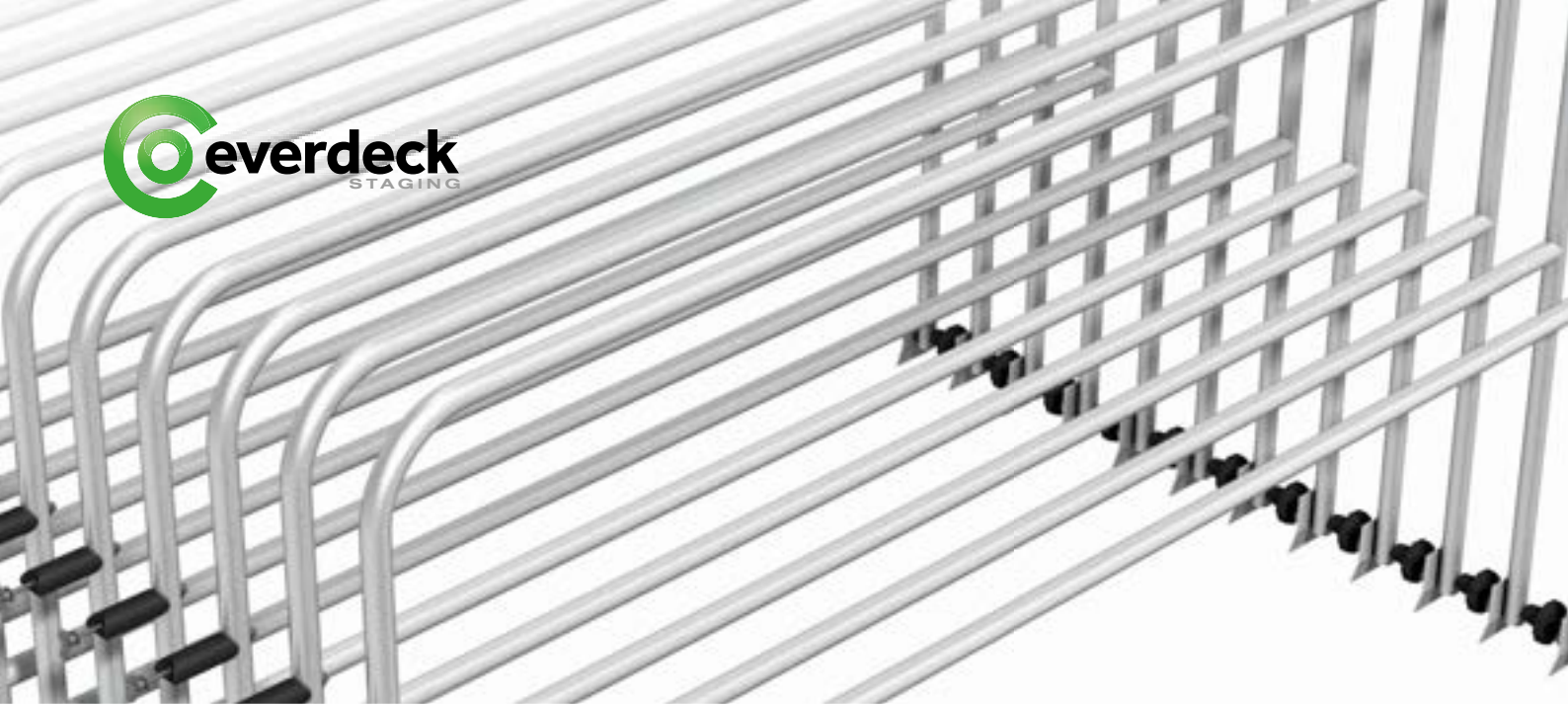


VASH-L
Adjustable stair handrail left

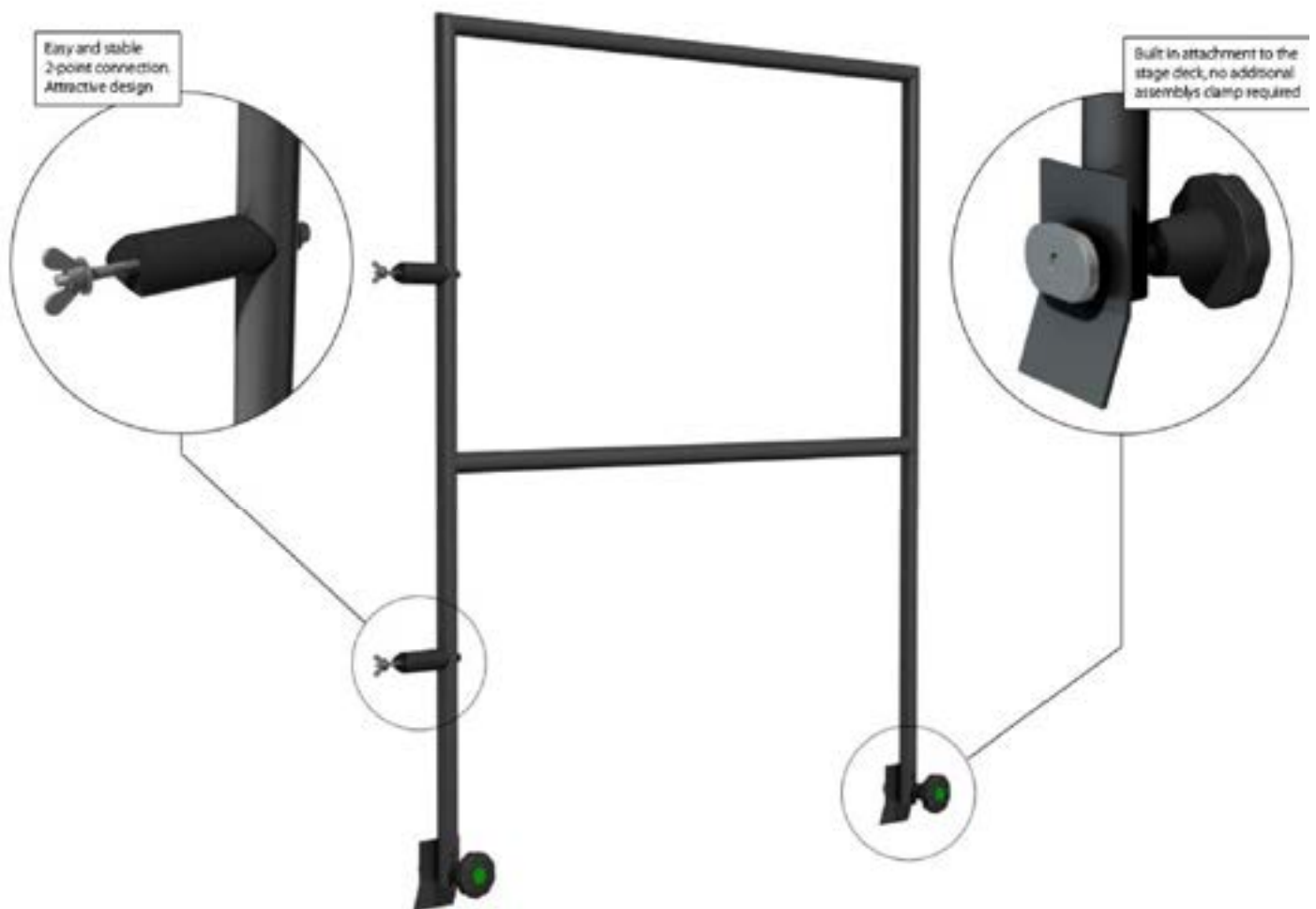


VASH-R
Adjustable stair handrail right

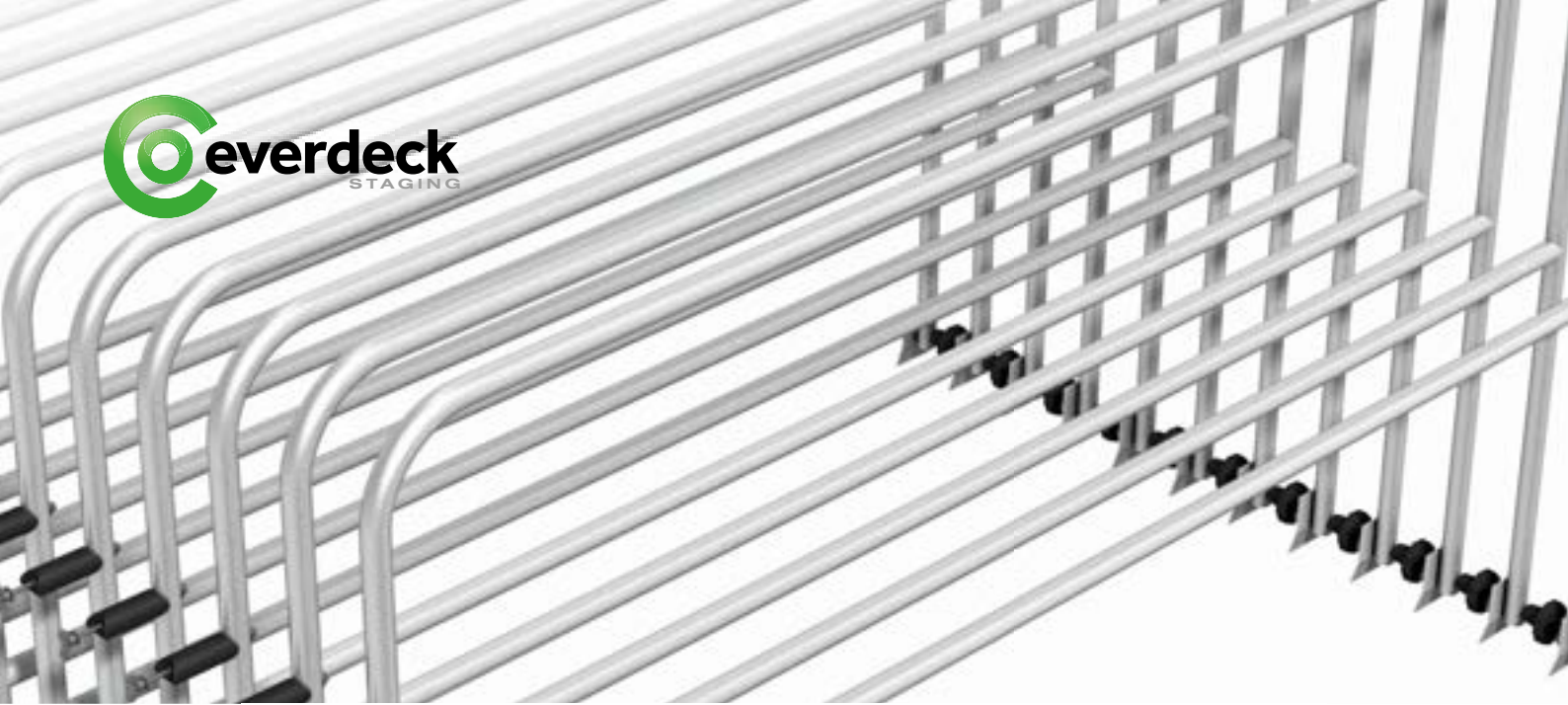
Adjustable stair handrails are universal for 4, 5 and 7 step handrails.



STAGE HANDRAILS



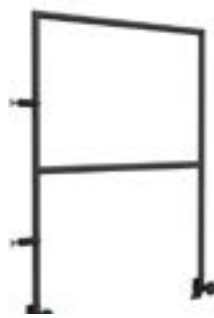
2m and 1m steel handrails for stage decks, galvanized or with black powder coating.
For standard use with no public access (30kg/m).
Other lengths on request.



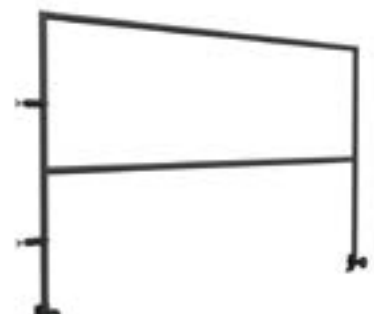
Standard handrails



VH0.5
Stage handrail 0,5m

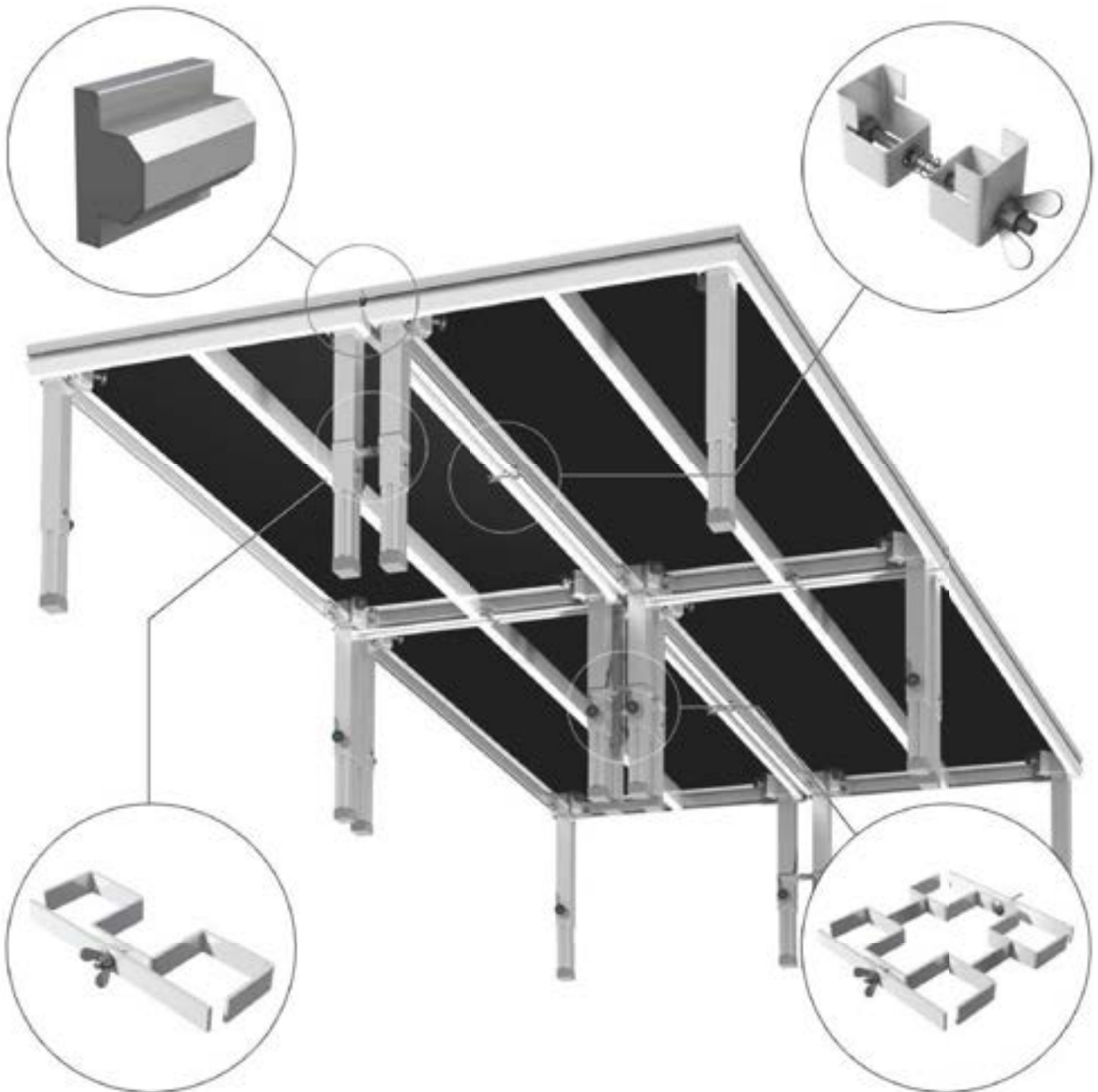


VH1
Stage handrail 1,0m



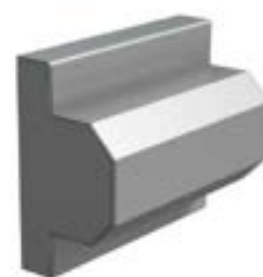
VH2
Stage handrail 2,0m

CLAMPS AND ACCESSORIES





We have designed our stage deck series in order to minimize the quantity of accessories which are needed to build the stage. You need only 4 loose connection accessories to build a whole stage system. It makes your assembly much easier and saves your time.



Deck 2 Deck clamp
Connection clamp to connect two adjacent stage decks.

Recommended quantities
– 2 pcs for 2m connection side and 1 pcs for 1m side.

Leg 2 Leg clamp
Steel clamp for connection between 2 adjacent stage legs

4 leg clamp
Steel clamp for connection between 4 adjacent legs

Leveling insert
Leveling insert to keep adjacent decks on the same level on an uneven ground



TRANSPORT TROLLEYS



VTT – deck trolley
Transport trolley enables to carry up to 15 pcs
of 2x1m VERSA 750 decks



VDT – door transport trolley
Transport trolley for up to 6 pcs of VERSA 750
decks in vertical position

